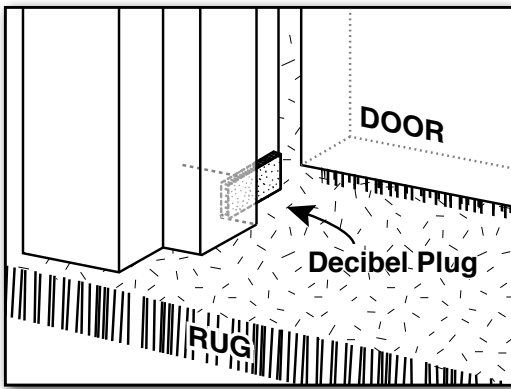
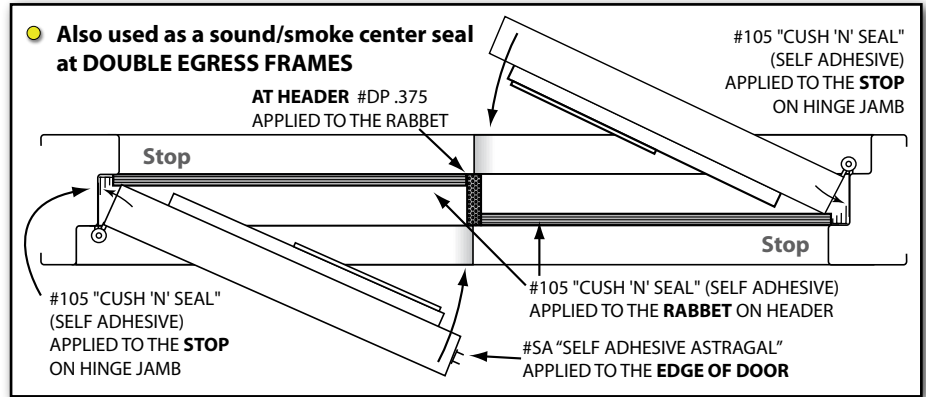


#DP Decibel Plug Also known as "Dust Plug" for smoke/air



Used to seal the bottom corners of the door for sound and smoke.

- **#DP .250 - 1/4"** **#DP .375 - 3/8"**
- Used with all standard DHSI Door Bottoms where a higher STC rating is desired, and exterior applications.



- For use with all standard DHSI Door Bottoms
- Seal from the bottom of the door to the flooring surface on the rabbet.
- Adhesive-backed and easy to install.

Architectural Details for "submittals": eliminate sales "cut sheets"

- Suggested to be used with a standard submittal
- Details can now be completed electronically. **No Printing or faxing! Just hit 'send'.**

Only DHSI has architectural details for the complete range of sealing system solutions helping contractors and distributors eliminate costly errors as commonly found in transition changes such as tile, carpet or VCT; color selection changes in door bottom, frame seals, transition strips (thresholds); undercut requirements for HVAC, etc.

Ask for sample details (from over 150) such as a mortise door bottom with "Solid Wood Edge ("SWE") and a marble threshold or for some specific requirement. Custom details available at no charge.

ACTIVE LINK

Send e-mail to DHSI requesting further information on Architectural Details

Sample Detail:

RECOMMENDED DOOR BOTTOM CLEARANCE:

1/4" or 3/8" if AMU

1/8" (TYP.)

A TYPICAL 3/8" CARPET

A TYPICAL 1/4" PADDING

RISER IF DESIRED

2 3/4"

#AMDB Mortise Door Bottom

11/32"

1/2"

OTHER LENGTHS ARE AVAILABLE AND FIELD REPLACEABLE.

SOLID WOOD EDGE OPTION

Lock Edge

Door Face

1/4"

SWE: Mortise ends before edge of door on lock edge. This allows edge of door to remain flush.

DOOR UNDERCUT

CONFIRMED BY DISTRIBUTOR

FT 2.75 THRESHOLD 3/4"

OTHER THRESHOLD (ACTUAL HEIGHT)

RISER (IF USED) +

CLEARANCE - SEE DRAWING +

= UNDERCUT OF DOORS =

ACTUAL WIDTH OF DOOR

OPTIONAL: QTY REQUIRED