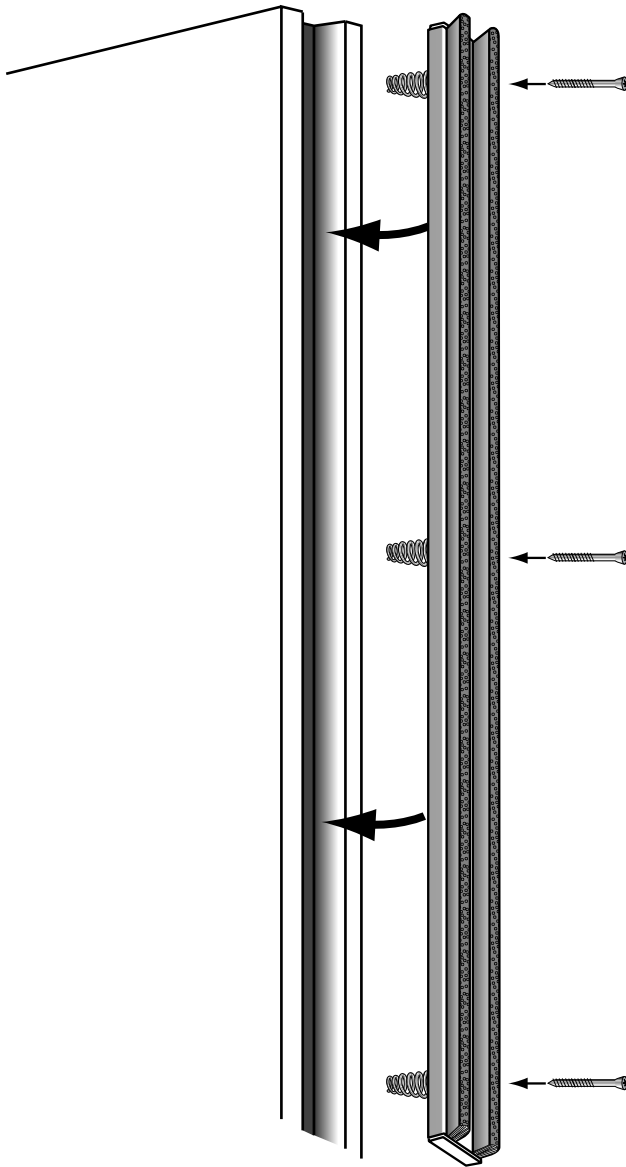


Adjustable Mortise Astragal Seals A-MA3-2

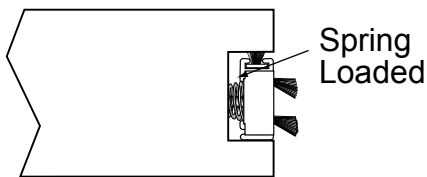
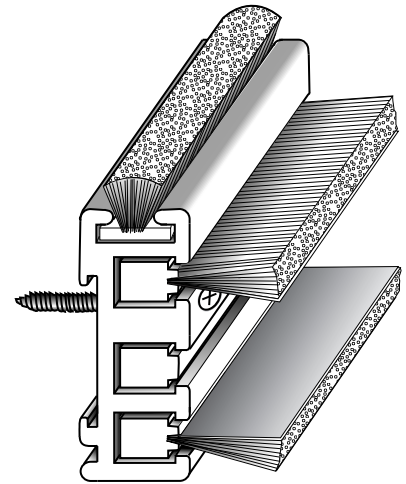
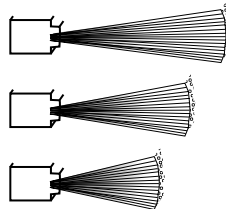
Door Astragal Seals for pairs of wood doors

Designed with unique features not available in other astragals:

- Fully Adjustable from 0° tolerance
- Double or Triple seal for sound or weather seal.
- Twist-Lok conical springs stay in place. Stainless Steel corrosion resistance. Spring retained in groove for ease of installation.
- Reduces service call-backs and complaints.
- Replaceable inserts allow various pile heights .230 to .750" (standard: .480")
- 7'-0 standard with black pile, 8'-0 available
- Standard Mortise Required: 29/32" wide x 5/8" deep
- **Part # A-MA3-2 x length**



Various pile heights are available



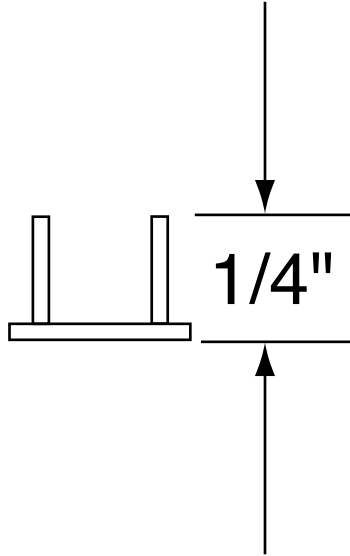
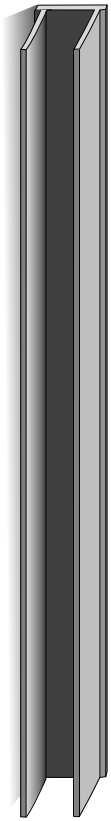
Door and Hardware Systems, Inc.

Contact Person: Robert Rissone, President

13 Silver Street, Rochester, New York 14611 TEL (585) 235-8543 FAX (585) 235-0431
Website: dhsi-seal.com e-mail: info@dhsi-seal.com

Copyright AMA3-04

Self Adhesive Door Astragal Seals



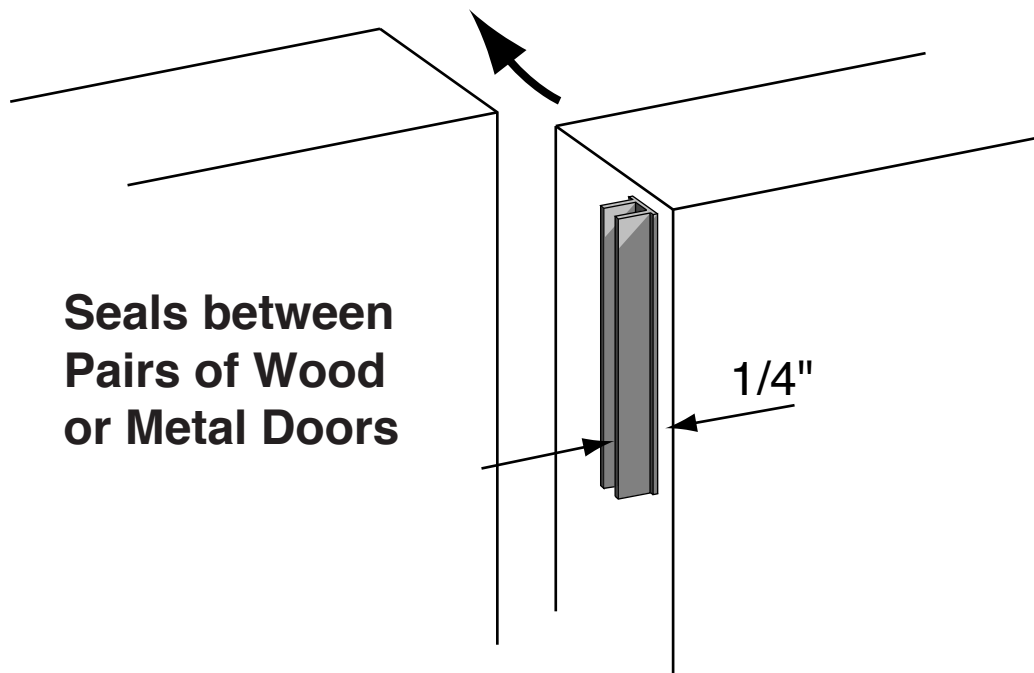
Door Astragal Seals for commercial / entrance doors, including wood and hollow metal doors

Self Adhesive seal for weather, sound and smoke

- Mounts on the high or low side
- Adhesive defies removal by normal finger strength
- Seals from 1/32" to over 1/4" gaps
- Ideal for concealed VR panic exit devices
- No mortising necessary for installation
- Combines with "Cush 'N' Seal" frame seals that can seal a door over 1/4" out of plumb

Part #SA x 8'-0 x color

Available in Off-White or Duronodic



**Seals between
Pairs of Wood
or Metal Doors**

Door and Hardware Systems, Inc.

Contact Person: Robert Rissone, President

13 Silver Street, Rochester, New York 14611 TEL (585) 235-8543 FAX (585) 235-0431
Website: dhsi-seal.com e-mail: info@dhsi-seal.com

Copyright SA-06