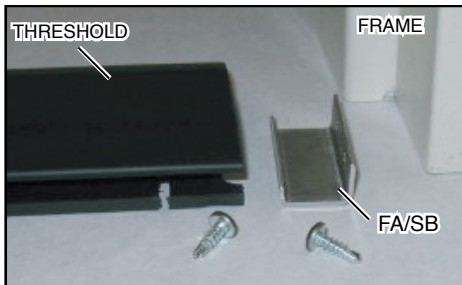
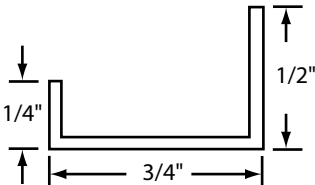
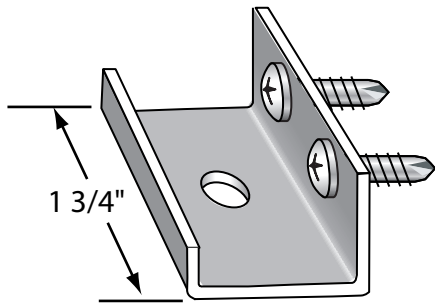
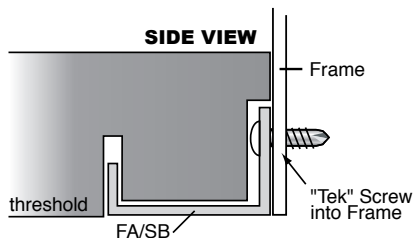
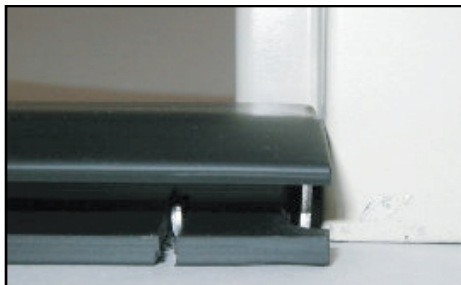


# FA/SB Frame Alignment / Security Bracket



Digital Pictures of the "Frame Alignment / Security Bracket" with the DHSI FT 2.75 Threshold



## ★ **Frame Alignment:**

- DHSI recommends the specification of a fire threshold and the "**Frame Alignment/Security Bracket**" which serves as an installation template to assist the installer in establishing proper width and square.
- Thresholds, combined with the "**Frame Alignment/Security Bracket**" act as a temporary spreader bar. The threshold can be removed during construction and installed permanently with the carpeting at a later date.
- The common installation error of "twist" causes enormous problems with interfering with the closing and latching of the door. Gasketing can add to hinge and lock bind if the frame is misaligned.
- Even with a welded frame, we still recommend a threshold and "**FA/SB**" because the welded spreader bars per the Steel Door Institute (SDI) are for **temporary** shipment purposes and are **not** designed to act as "spreader bars".
- If welded frames are specified, see if specification eliminates welded spreader bars and allows welded frames to be shipped nested (2 frames interlocked). Saves on freight, mfg welding, and field removal.

## ★ **Security:**

- Prevents spreading of frame at base to disengage the auxiliary latch (anti-pick) and allow carding of lock.

Consult DHSI for reinforcement at lock location.

See DHSI Entry Details for determining door undercut requirements and clearances for appropriate door sweep, STC Requirements, and availability of door bottoms that block light and sound but allow air return from the hallway.

- ★ This installation sequencing control is applicable to both welded and KD frames:

- 1: FA/SB Attachment to frame
- 2: Use one threshold as template for setting all frames
- 3: Remove threshold during construction
- 4: Install glue down threshold over FA/SB bracket with carpet installation

**PATENT #7,062,881 & PATENTS PENDING**

Link to "Break-In" online at <http://dhsi-seal.com/roomsecurity.htm>

## DHSI

DOOR AND HARDWARE SYSTEMS, INC.

Contact Person: Robert Rissone, President

17 Silver Street, Rochester, New York 14611 TEL (585) 235-8543 FAX (585) 235-0431  
Website: [dhsi-seal.com](http://dhsi-seal.com)

e-mail: [info@dhsi-seal.com](mailto:info@dhsi-seal.com)

FASB-10 Copyright