

# FA/SB Frame Alignment / Security Bracket

## ☆ Frame Alignment:

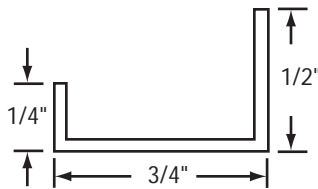
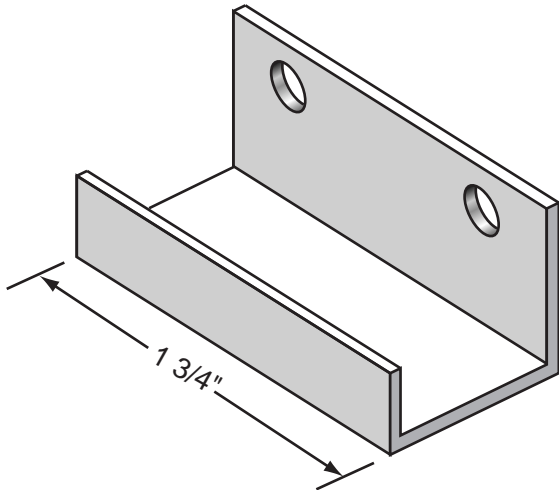
- DHSI recommends the specification of a fire threshold and the "**Frame Alignment/Security Bracket**" which serves as an installation template for spreading to exact width and aligning a frame.
- Thresholds precut to exact width by the manufacturer, combined with the "**Frame Alignment/Security Bracket**" act as a temporary spreader bar. The threshold can be removed during construction and installed permanently with the carpeting at a later date.
- The common installation error of "twist" causes enormous problems with interfering with the closing and latching of the door. Gasketing can add to hinge and lock bind if the frame is misaligned. The use of a threshold and "**FA/SB**" aligning bracket eliminates these problems.
- Even with a welded frame, we still recommend a threshold and "**FA/SB**" because the welded spreader bars per the Steel Door Institute (SDI) are for **temporary** shipment purposes and are **not** designed to act as "spreader bars".
- If welded frames are specified, see if specification eliminates welded spreader bars and allows welded frames to be shipped nested (2 frames interlocked). Saves on freight, mfg welding, and field removal.

## ☆ Security:

- Prevents spreading of frame at base to disengage the auxiliary latch (anti-pick) and allow carding of lock.

Consult DHSI for reinforcement at lock location.

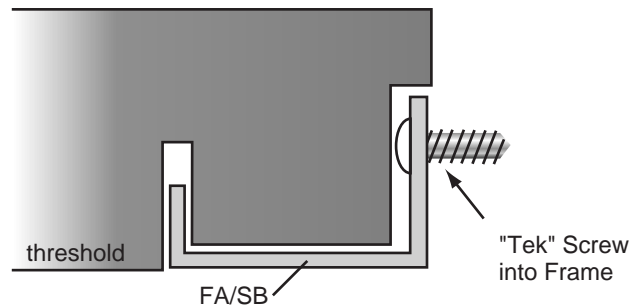
See DHSI Entry Details for determining door undercut requirements and clearances for appropriate door sweep and STC Requirements.



Digital Pictures of the "Frame Alignment / Security Bracket" with the DHSI FT 2.75 Threshold



Patents Pending. Consult DHSI



## Door and Hardware Systems, Inc.

Contact Person: Robert Rissone, President

13 Silver Street, Rochester, New York 14611 TEL (585) 235-8543 FAX (585) 235-0431

Website: [dhsi-seal.com](http://dhsi-seal.com)

e-mail: [info@dhsi-seal.com](mailto:info@dhsi-seal.com)

Copyright FASB-03