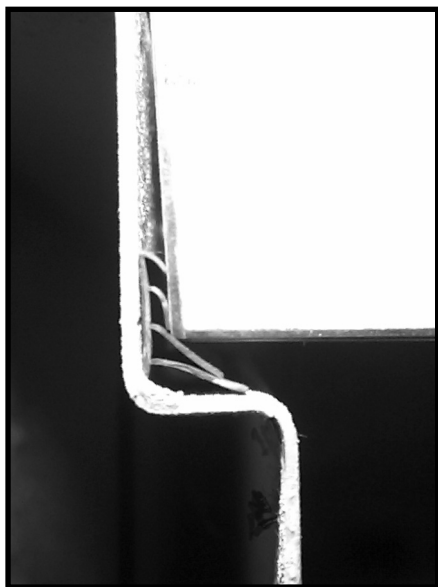


PATENTS
 #5,577,349,
 #6,058,654
 & #6,266,924

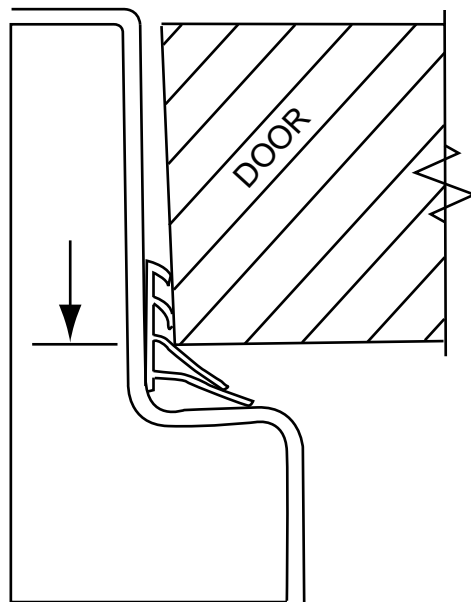
- ④ "Chambers" of air = QUADRUPLE **SOUND ATTENUATION**
- ④ "Baffles" of insulation = QUADRUPLE **INSULATION VALUE**

The following digital photographs are within the door industry tolerances:
 Each digital photograph was then illustrated on the computer for ease of viewing.

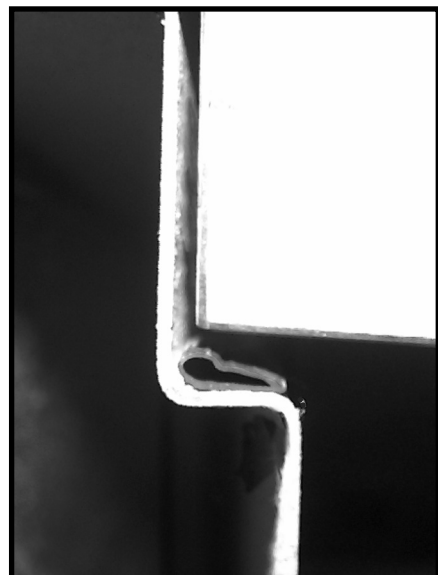


with
"Cush 'N' Seal"

You may get
Four Times
 your Value!



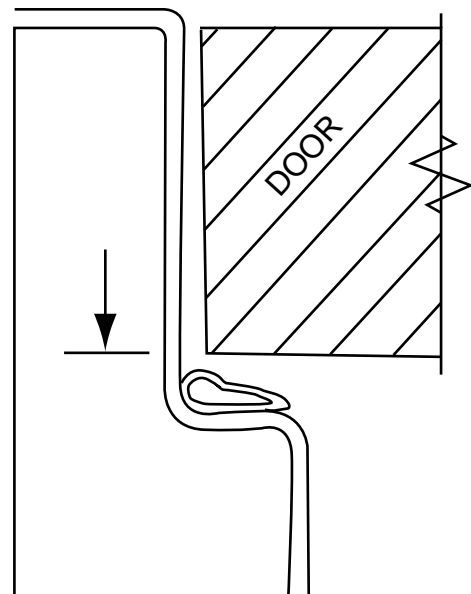
OR



with
"Teardrop"

You may not
 get **anything**
 for your money!

How can a stop
 applied seal
possibly compensate
 when a door moves?



Which is more cost effective?